

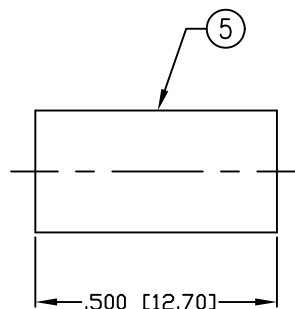
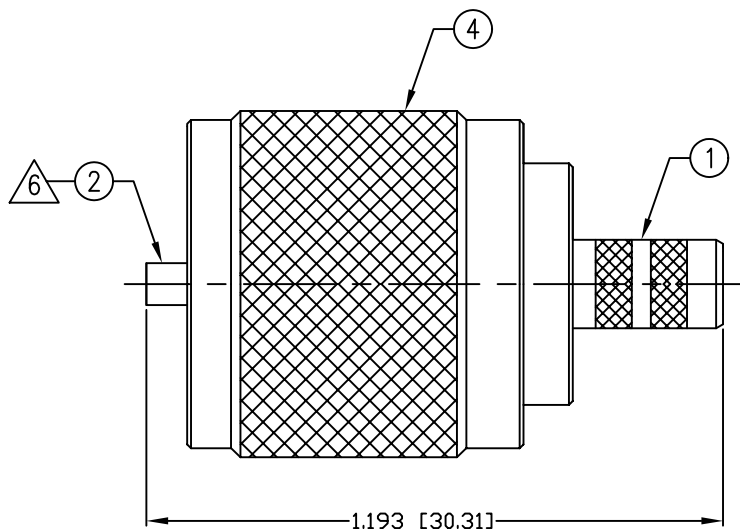
THIS DRAWING CONTAINS INFORMATION PROPRIETARY TO RF INDUSTRIES,
 ANY UNAUTHORIZED USE OF THIS DRAWING IS EXPRESSLY PROHIBITED
 WITHOUT WRITTEN PERMISSION FROM RF INDUSTRIES.
 ANY VIOLATION IS PUNISHABLE UNDER U.S. COPYRIGHT LAWS.

ALL DIMENSIONS ARE REFERENCE ONLY

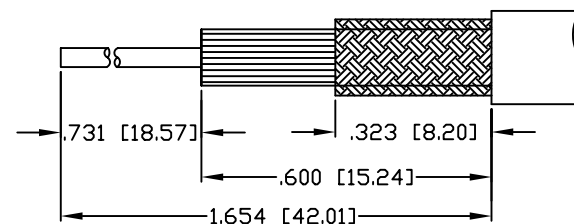
PART NO.

RFU-505-ST

REV	DESCRIPTION	DWN	DATE	APPROVED
J	STANDARDIZE CONTACT ITEM #2 CHANGE STRIPPING INST	CZS	3/2/99	R. RICE
K	CHANGE FERRULE CONFIGURATION	CZS	12/9/99	JDMc
L	CHG. OVER ALL, AND STRIPING DIM'S / CHG. FORMAT	GGG	11/28/01	JDMc
M	ADJUST STRIPING LENGTH	CZS	4/24/06	JDMc



RECOMMENDED CRIMP DIE: .213"



RECOMMENDED STRIPPING DIMENSIONS

SPECIFICATIONS:

IMPEDANCE: NON CONSTANT
 FREQUENCY RANGE: 0-300 MHz
 WORKING VOLTAGE: 500 V rms @ sea level
 (C) FOR RG-58, 58A, 58C, 141, 141A, BELDEN 8240,
 8262, 9201, 9203, 9310, 9311 & COMM/SCOPE 0268
 (C2) FOR TIMES LMR-200, ALPHA 9848 & MSI-22

6 CONTACT ID .047 [1.19]
 CRIMP CONTACT WITH .068" CRIMP
 DIE OR SOLDER OR BOTH

1	BODY	1	BRASS	SILVER, 80 μ"	000486	
2	CONTACT	1	BRASS	SILVER, 80 μ"		
3	DIELECTRIC	1	PTFE	---		
4	SHELL	1	BRASS	SILVER, 80 μ"		
5	FERRULE	1	BRASS	SILVER, 80 μ"		
6						
7						
8						
9						
10					DRAWN	
11					C. ZUNIGA	4/24/06
12					CHECKED	
13					ORJ DRAWN	
14					C. JONES	4/2/92
#	DESCRIPTION	QTY	MATRL	FINISH	APPROVALS	DATE

UNLESS OTHERWISE SPECIFIED:

1. REMOVE ALL BURRS
2. BREAK ALL CORNERS & EDGES .005 R. MAX.
3. CHAMFER 1ST & LAST THREADS 45°
4. SURFACE ROUGHNESS 63 FINISH MIL-STD-10
5. DIAMETERS ON COMMON CENTERS TO BE CONCENTRIC WITHIN .002 T.I.R.
6. ALL DIMENSIONS ARE AFTER PLATING.

DIMENSIONS ARE IN INCHES
 AND [MILLIMETERS]

UNLESS OTHERWISE NOTED

TOLERANCES ARE:

DECIMALS	DIAMETER
.xxx±.003 [.08]	.xxx±.001 [.03]
.xx±.005 [.13]	.xx±.003 [.08]

RFconnectors
 DIVISION OF RF INDUSTRIES, LTD.

7610 MIRAMAR RD
 SAN DIEGO, CA 92126
 (858) 549-6340
 (858) 549-6345 FAX

UHF PLUG, CRIMP

SIZE	CABLE GROUP	DWG NO.	REV
A	C, C2	RFU-505-ST	M
SCALE:	NTS	CAD FILE	OUTLINE
SHEET 1 OF 1			