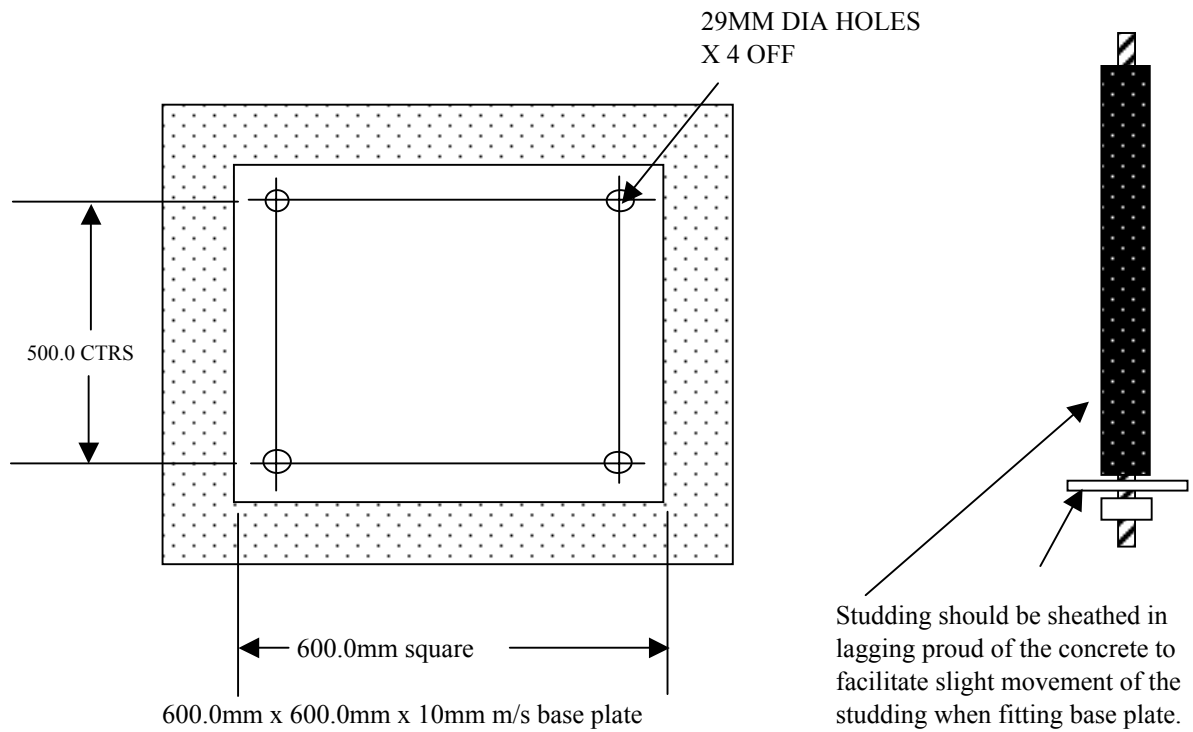
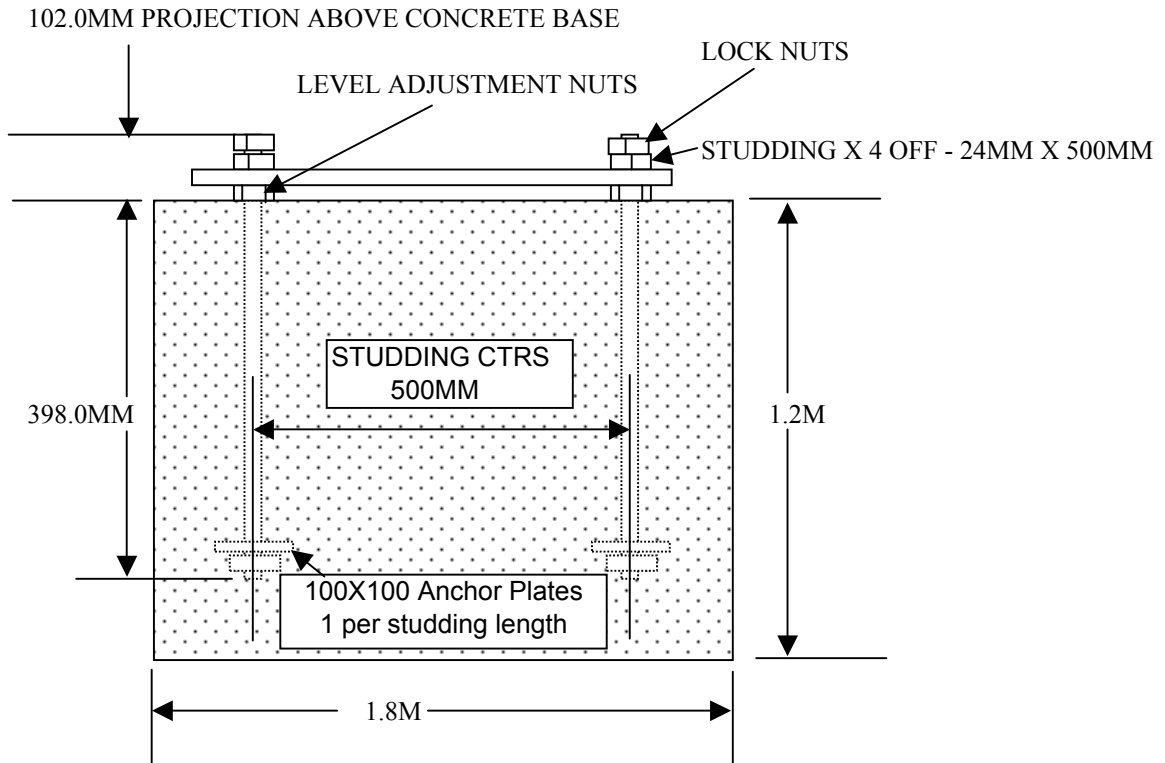


# BASE DETAILS FOR THE BM & BMT LATTICE MAST RANGE

BASE SIZE ASSUMES MINIMUM GROUND PRESSURE OF **10.94 TONNES/M2 (1TON/SQ.FT.)**



**NOT TO SCALE**