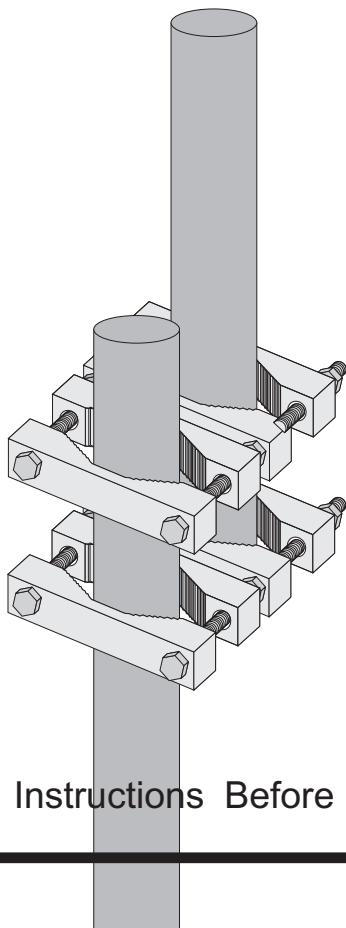


hy-gain®

PTP-150 Pipe to Pipe Mount Kit

INSTRUCTION MANUAL



CAUTION: Read All Instructions Before Operating Equipment

hy-gain®

308 Industrial Park Road
Starkville, MS 39759 USA
Tel: 662-323-9538 Fax: 662-323-6551

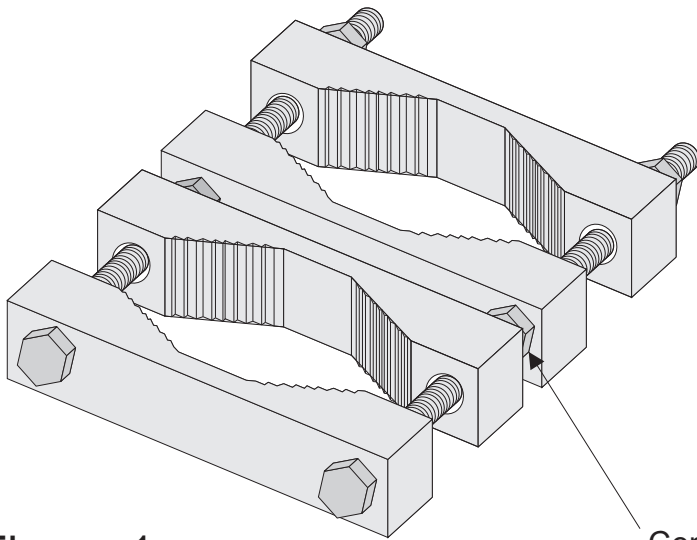
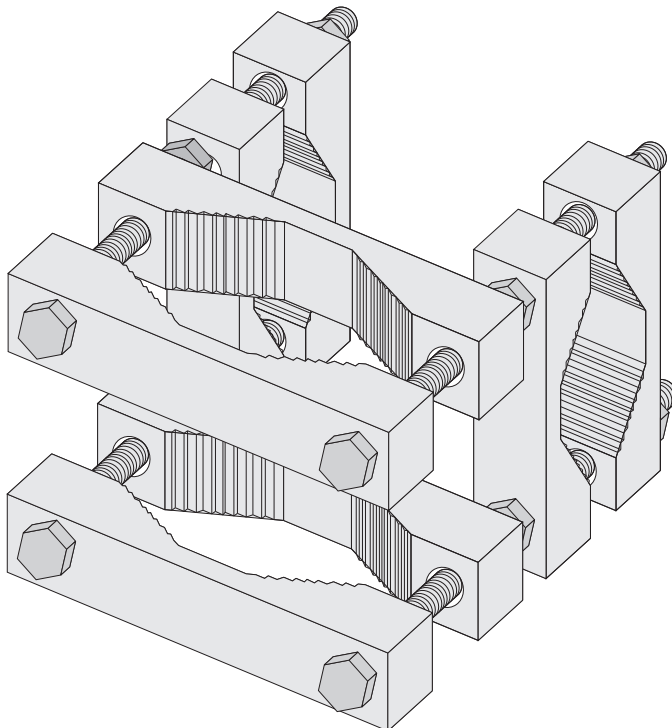
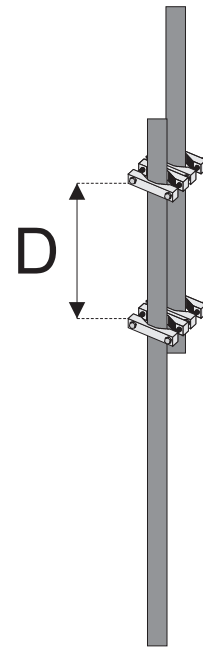
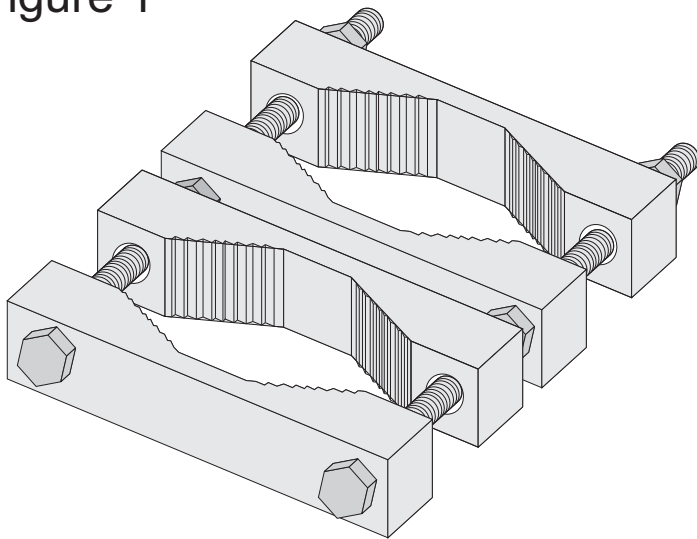


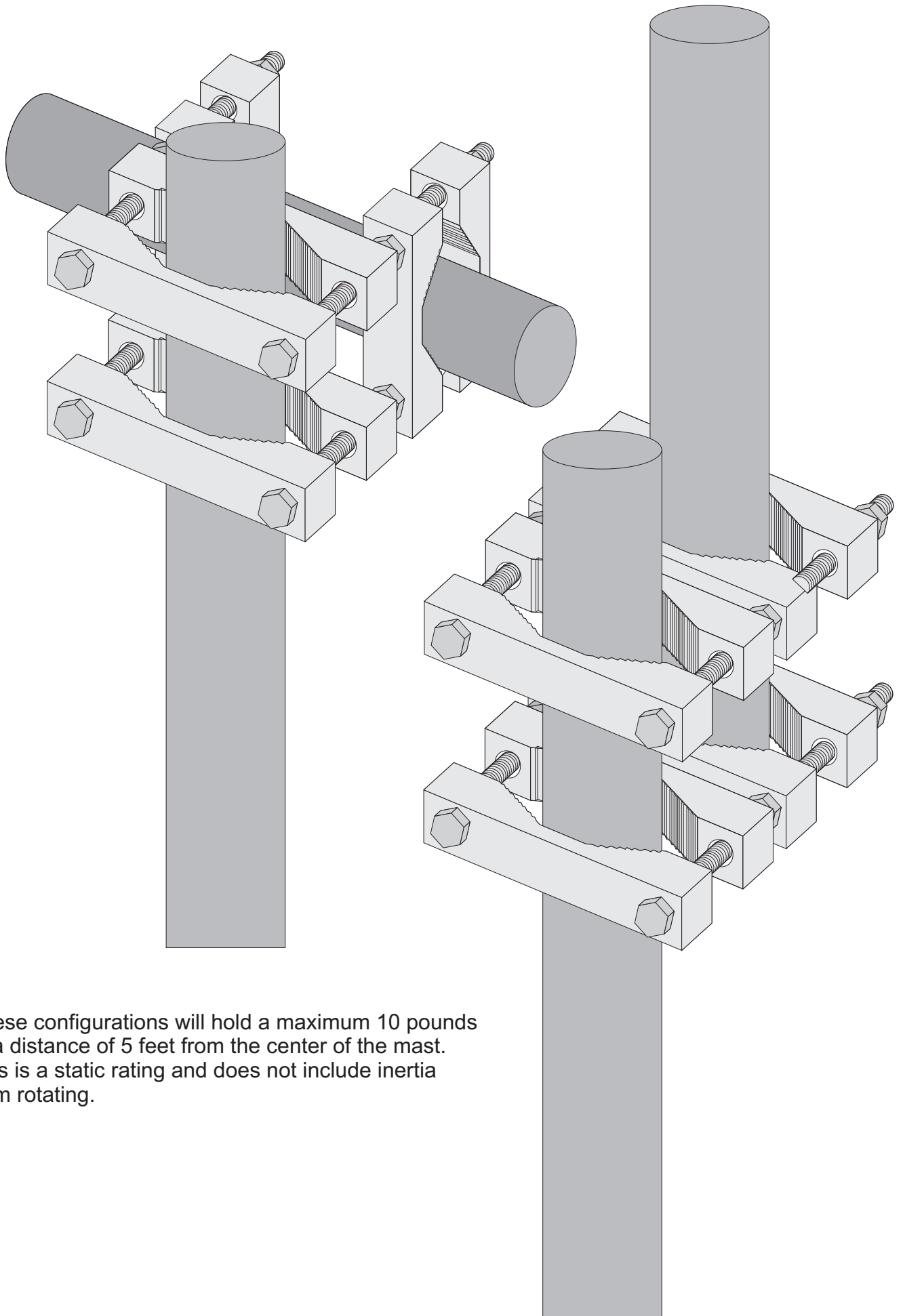
Figure 1

The PTP-150 can be used in two configurations. For inline mounting, use figure 1 to loosely assemble the brackets before installing them on the pipes. In this configuration, the distance between the clamps will affect the torque capability. Space the brackets as far apart as possible for maximum holding power. Distance "D"



Use figure 2 to assemble the brackets in the cross mounting pattern. Don't forget the center nut. Use this nut to tighten the mast side of the clamp so that the other tube can be removed without removing the entire clamp.

Item	P/N	Description	Qty
1	664-6000S-HH	5/16 x 6 bolt	4
2	170035	Saddle bracket	8
3	555747	5/16 Hex Nut	8
4	564792	5/16 Split washer	4



These configurations will hold a maximum 10 pounds at a distance of 5 feet from the center of the mast. This is a static rating and does not include inertia from rotating.

hy-gain®

LIMITED WARRANTY

hy-gain Warrants to the original owner of this product, if manufactured by hy-gain and purchased from an authorized dealer or directly from hy-gain to be free from defects in material and workmanship for a period of 12 months for rotator products and 24 months for antenna products from date of purchase provided the following terms of this warranty are satisfied.

The purchaser must retain the dated proof-of-purchase (bill of sale, canceled check, credit card or money order receipt, etc.) describing the product to establish the validity of the warranty claim and submit the original or machine reproduction of such proof-of-purchase to hy-gain at the time of warranty service. hy-gain shall have the discretion to deny warranty without dated proof-of-purchase. Any evidence of alteration, erasure, or forgery shall be cause to void any and all warranty terms immediately.

hy-gain agrees to repair or replace at hy-gain's option without charge to the original owner any defective product under warranty, provided the product is returned postage prepaid to hy-gain.

Under no circumstances is hy-gain liable for consequential damages to person or property by the use of any hy-gain products.

Out-of-warranty Service: hy-gain will repair any out-of-warranty product provided the unit is shipped prepaid. All repaired units will be shipped COD to the owner. Repair charges will be added to the COD fee unless other arrangements are made.

This warranty is given in lieu of any other warranty expressed or implied.

hy-gain reserves the right to make changes or improvements in design or manufacture without incurring any obligation to install such changes upon any of the products previously manufactured.

All hy-gain products to be serviced in-warranty or out-of-warranty should be addressed to hy-gain, 308 Industrial Park Road, Starkville, Mississippi 39759, USA and must be accompanied by a letter describing the problem in detail along with a copy of your dated proof-of-purchase.

This warranty gives you specific rights, and you may also have other rights which vary from state to state.