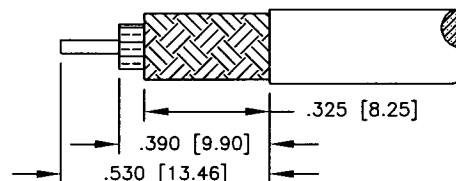
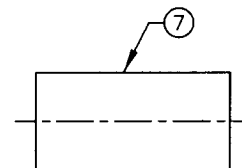
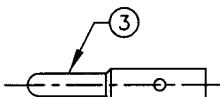
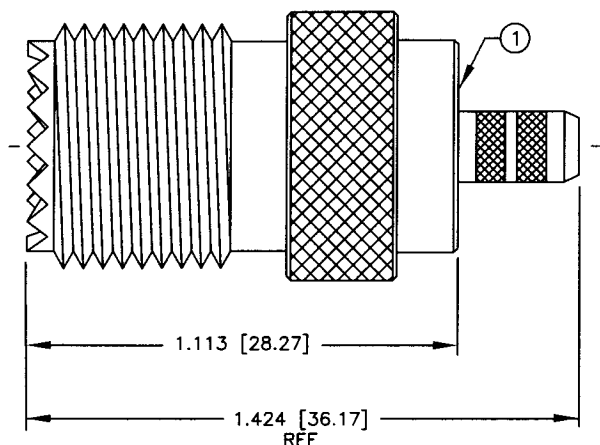


# ENVELOPE / ASSEMBLY DRAWING

000000

SPECIFICATION CONTROL DRAWING		REV	DESCRIPTION	DWN	DATE	APPROVED
THIS DRAWING CONTAINS INFORMATION PROPRIETARY TO RF INDUSTRIES, LTD. ANY UNAUTHORIZED USE OF THIS DRAWING IS EXPRESSLY PROHIBITED. ANY VIOLATION IS PUNISHABLE UNDER U.S. COPYRIGHT LAWS.		D	CHANGE DIELECTRIC & BODY ID \ ADD PRESS FIT WASHER	CZS	8/20/97	R. RICE
		E	CHG DEPTH OF FEMALE CONTACT [#2] \ CHG PIN LENGTH [#3]	KMM	12/15/98	R. RICE
		F	CHANGE DIELECTRIC ID ITEM #5	CZS	1/15/99	R. RICE
		G	CORRECT BODY ID DIM / CHG FER & FER STUD CONFIG	CZS	1/13/00	J. D. McR

ALL DIMENSIONS ARE REFERENCE ONLY



SUGGESTED STRIPPING INSTRUCTIONS

SUGGESTED CRIMP DIES: .068 & .213

## SPECIFICATIONS:

IMPEDANCE: NON CONSTANT  
WORKING VOLTAGE: 500 VRMS @ SEA LEVEL  
FREQUENCY RANGE: 0-300 MHz  
FOR RG-58, 58A, 58C, 141, 141A, BELDEN 8240,  
8259, 8262, 9201, 9203, 9310, 9311 & COMM/SCOPE 0268

DIMENSIONS ARE IN INCHES AND [MILLIMETERS]

UNLESS OTHERWISE NOTED TOLERANCES ARE:  
DECIMALS DIAMETER

**RF connectors**  
DIVISION OF RF INDUSTRIES, LTD.

7610 MIRAMAR RD  
SAN DIEGO, CA 92126  
(858) 549-6340  
(858) 549-6345 FAX

ITEM	DESCRIPTION	QTY	MATERIAL	FINISH
7	FERRULE	1	BRASS	NICKEL
6	PRESS FIT WASHER	1	BRASS	NICKEL
5	DIELECTRIC	1	DELTRIN	NONE
4	DIELECTRIC	1	DELTRIN	NONE
3	REMOVABLE PIN	1	BRASS	SILVER
2	CONTACT	1	BRASS	SILVER
1	BODY	1	BRASS	NICKEL

DRAWN C. ZUNIGA	1/13/00
CHECKED <i>[Signature]</i>	1-14-00
ORJ DRAWN K. MAXWELL	12/31/93
APPROVALS	DATE

<b>RFU-527</b>		UHF FEMALE CRIMP	
SIZE A	CABLE GROUP C	DWG NO. RFU-527	REV H
SCALE: 2:1	CAD FILE	OUTLINE	SHEET 1 OF 1